

# OP2B Shower Door Instruction Manual



**Please keep this manual and product code for future reference and to order replacement parts.**

**General Instructions:** read this manual carefully and completely before proceeding. It is recommended that you wear safety glasses and all times during the installation

**Installation over Ceramic Tiles:** Silicone should be used to seal the gap where the ceramic tiles meet the fixed panel. If your shower door is to be installed over ceramic tiles, the tiles should lay completely under the wall jams.

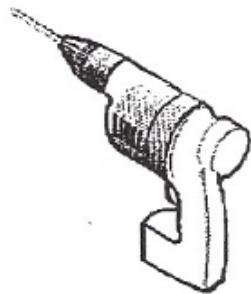
**Notice:** calking: no sealant is required inside the shower. All models are equipped with transparent sealing gaskets.

**Care for your Framed Shower Door:** Never use scouring powder pads or sharp instruments on metal pieces or glass panels. An occasional wiping down with a mild soap diluted in water is all that is needed to keep the panels and aluminum parts looking new. We recommend wiping the glass panels with a squeegee after every use.

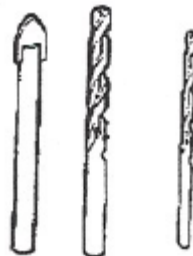
## Tools and Materials Required



Screwdriver



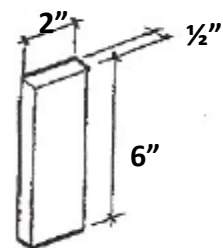
Drill



Drill Bits\*



Silicone

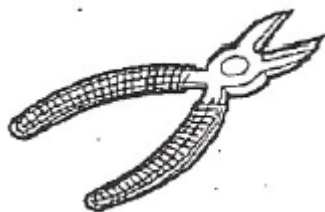


Wooden Block

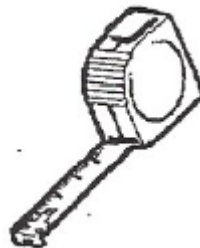
\*if the shower panels are to be assembled on ceramic tiles, us a 1/4" drill bit for ceramic tiles.



Pencil



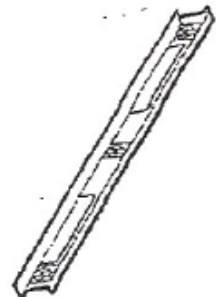
Cutting Pliers



Tape Measure

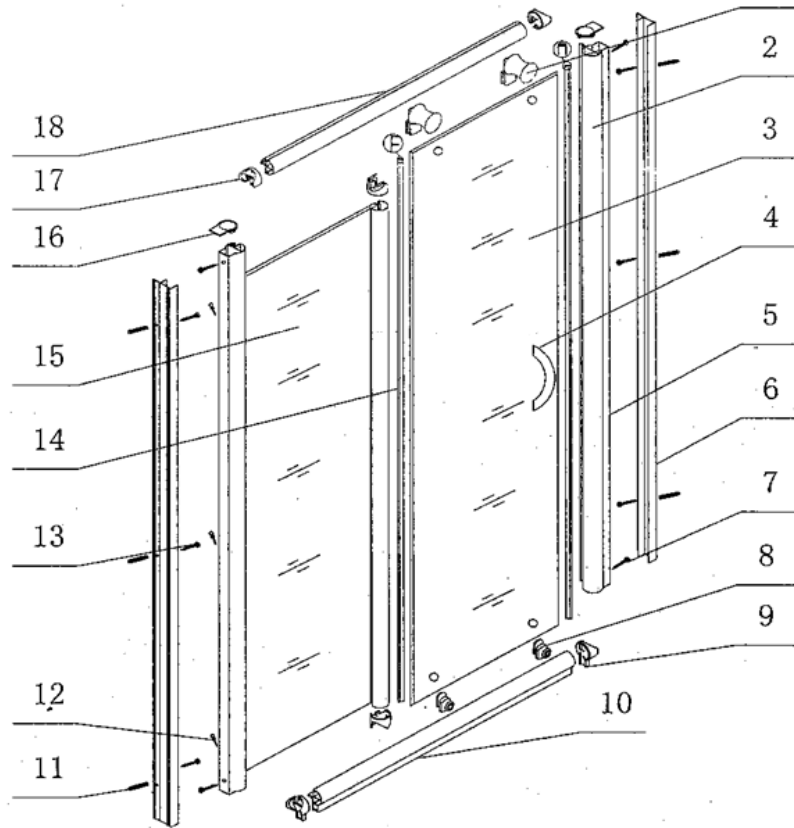


Mallet



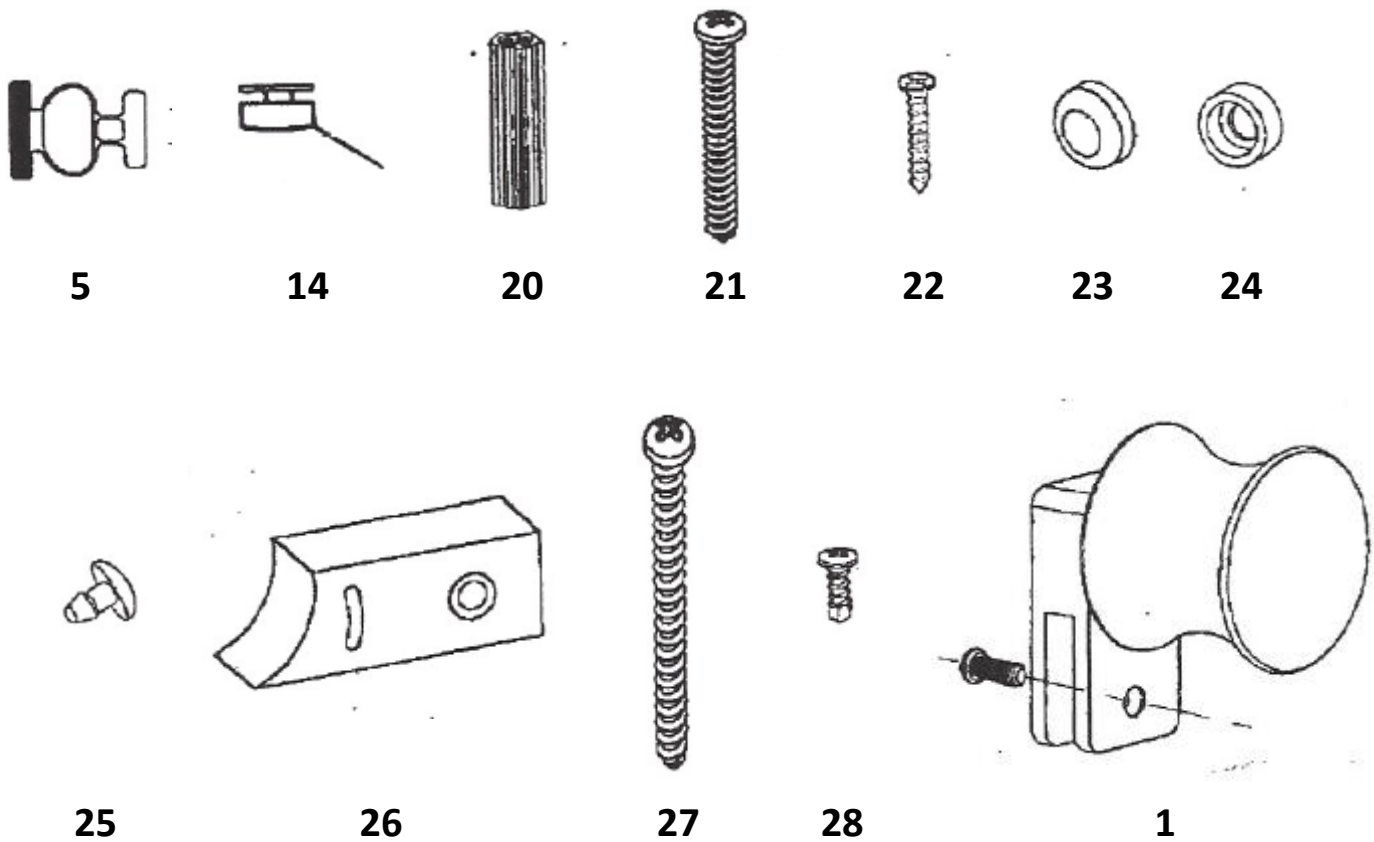
Level

# Parts



Item	Parts	Qty
1	Upper Wheels	2
2	Fixed Frame	2
3	Door Panel	1
4	Handle	1
5	Magnetic Gasket	1
6	Wall frame	2
7	Stud-Screws(M4 X 40)	6
8	Lower Wheels	2
9	Bottom Connector	2
10	Bottom Track	1
11	Wall Plugs	6
12	Stud-Screws (M4 X 12)	6
13	Stud-Screws (M4 X 30)	6
14	Middle Gasket	1
15	Fixed Glass Panel	1
16	Frame Cap	2
17	Top Connector	2
18	Top Track	1
19	Screw Caps	12

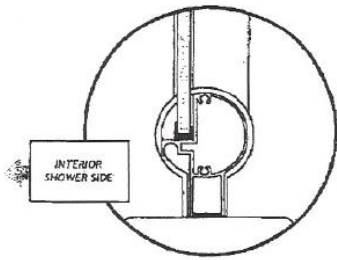
# Provided Hardware



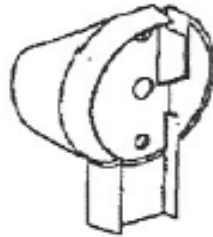
Item	Hardware	Qty
5	Magnetic Door Gasket	1
14	Side Gasket	1
20	Wall Plug	6
21	1-1/5" Screw (M4 X 30)	6
22	3/5" Screw (M4 X 16)	10
23	Screw Cap	8
24	Washer	8
25	Cap	4
26	Stopper	1
27	2" Screw (M4 X 50)	10
28	1/2" Screw (M4 X 12)	1
1	Wheels	2

## 1. The Frame Assembly

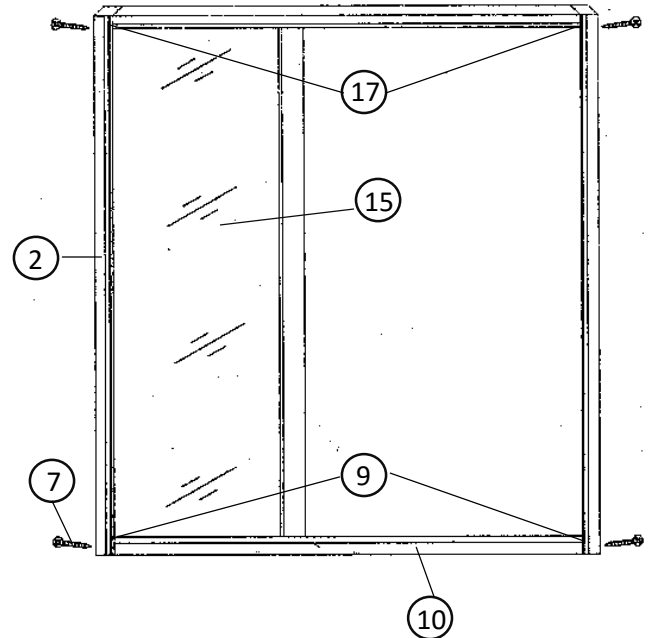
- a. Insert fixed glass panel (15) into top track (18) and into bottom track (10)
- b. Place upper end caps (17) on top track (18) and lower end caps (9) on bottom track (10)
- c. Secure fixed frame (2) on both sides with stud screws (7).



Top Connector(17)

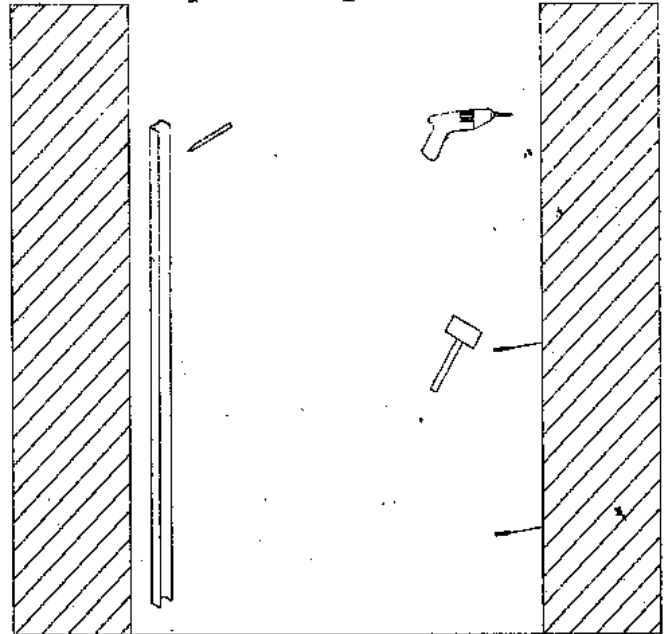


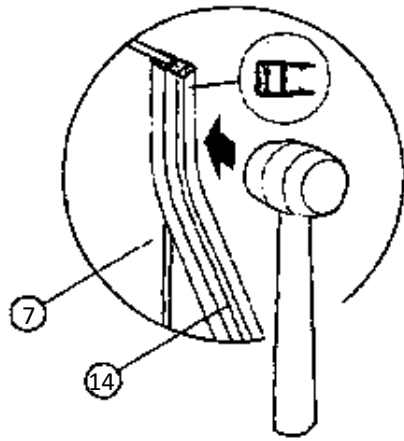
Bottom Connector (9)



## 2. Securing Shower

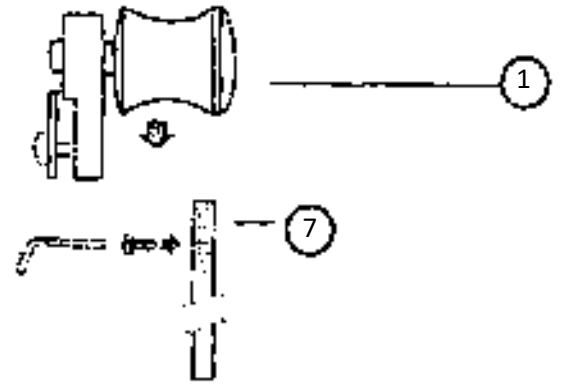
- a. Insert wall frames (6) into fixed frame (2)
- b. Place the semi-assembled shower enclosure into shower opening, ensuring with a level that the unit is straight.
- c. Mark the wall where the holes on the wall frame (6) meets the wall on both sides.
- d. Remove the shower unit and pre-drill the marked locations.
- e. With a drop of silicone insert wall plugs (11) in each hole.
- f. Place the shower unit back into the shower opening. And secure with stud screws (13). Use decorative caps (18) to cover screw heads.





### 3. Door Panel Setup

- Attach the wheels (1) to door panel (3) as shown using an Allan key
- Insert the door magnet gasket (14) as shown with mallet.



### 4. Door Installation

- Hang the door panel (3) on the top track (18).
- Insert door bottom guides into bottom track. Slightly unscrew the nut of the top rollers of the door panel this will allow you to adjust the door. Screw it back by ensuring verticality with the level

### 5. Accessories Installation

- Install the handles (4) using washers
- Using a mallet and block, install the two vertical gaskets (14). One between the fixed frame (2) and the fixed panel (15), the second between the vertical column and fixed panel (15). The gasket must be installed inside the shower.
- Place the frame caps (16) on the frame (2).

