

IP2B Shower Door Instruction Manual



Please keep this manual and product code for future reference and to order replacement parts.

General Instructions: read this manual carefully and completely before proceeding. It is recommended that you wear safety glasses and all times during the installation

Installation over Ceramic Tiles: Silicone should be used to seal the gap where the ceramic tiles meet the fixed panel. If your shower door is to be installed over ceramic tiles, the tiles should lay completely under the wall jams.

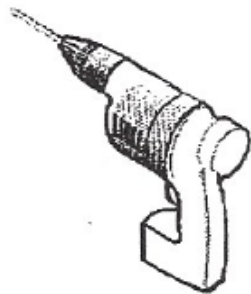
Notice: calking: no sealant is required inside the shower. All models are equipped with transparent sealing gaskets.

Care for your Framed Shower Door: Never use scouring powder pads or sharp instruments on metal pieces or glass panels. An occasional wiping down with a mild soap diluted in water is all that is needed to keep the panels and aluminum parts looking new. We recommend wiping the glass panels with a squeegee after every use.

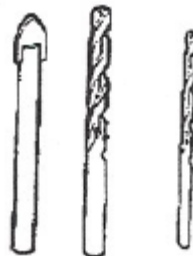
Tools and Materials Required



Screwdriver



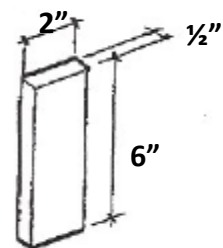
Drill



Drill Bits*



Silicone

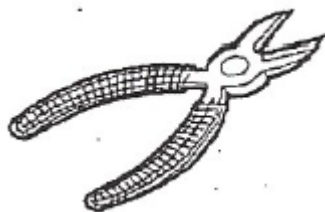


Wooden Block

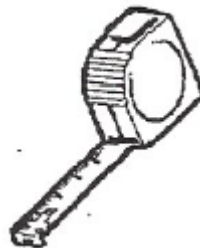
*if the shower panels are to be assembled on ceramic tiles, us a 1/4" drill bit for ceramic tiles.



Pencil



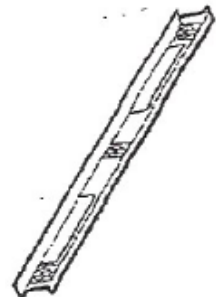
Cutting Pliers



Tape Measure

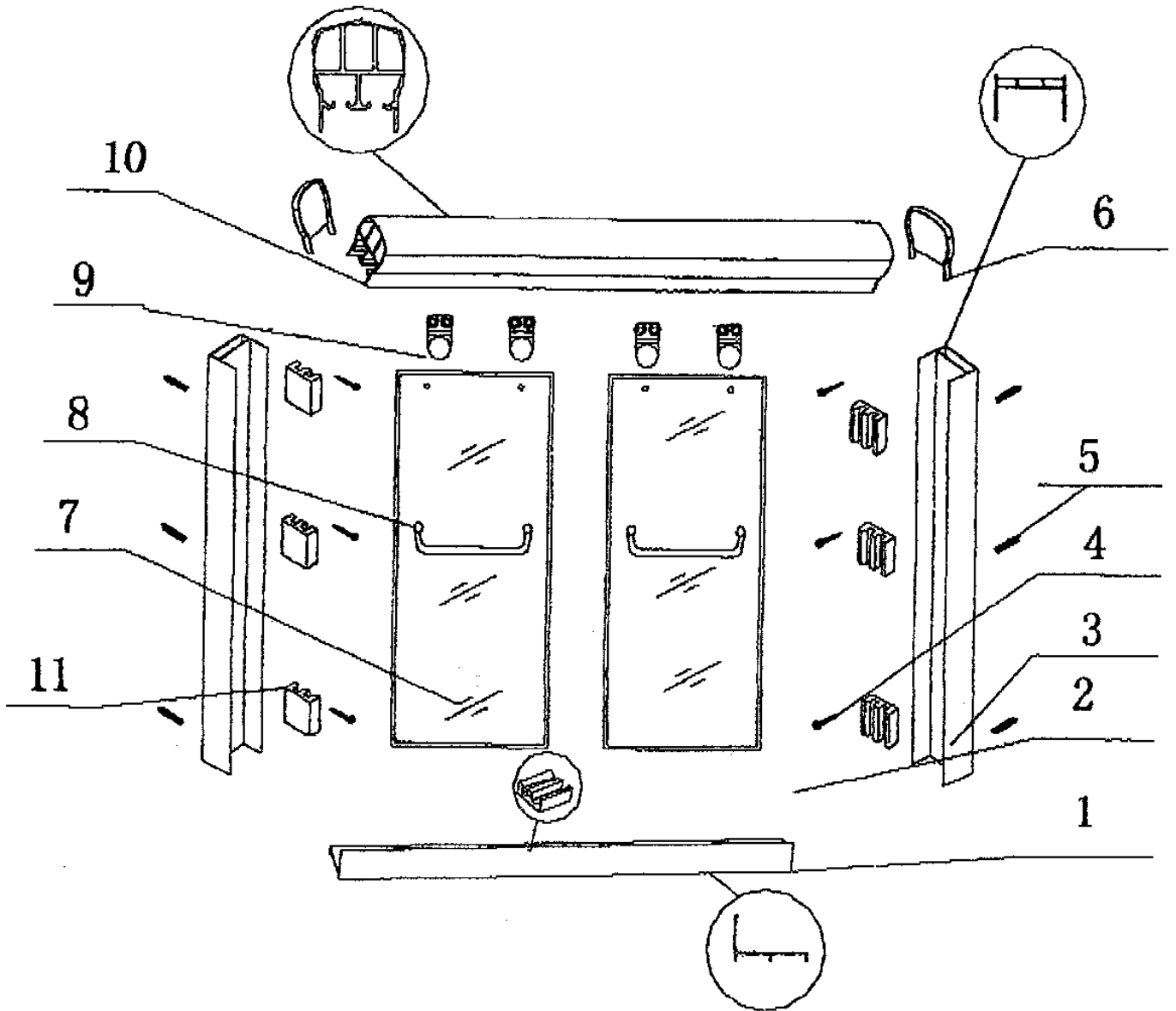


Mallet



Level

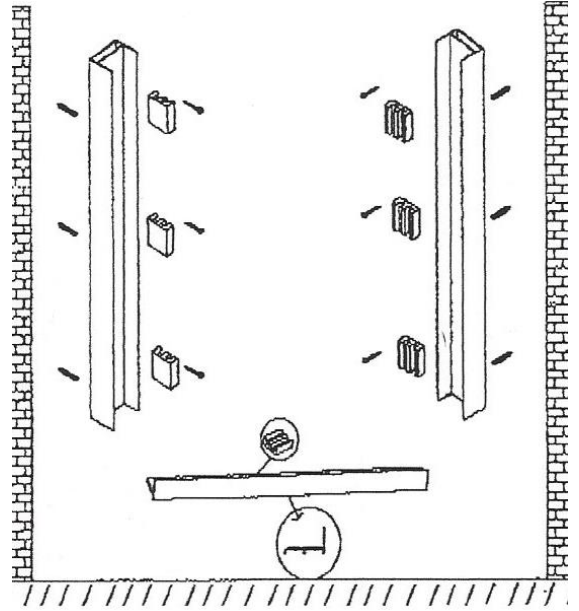
Parts



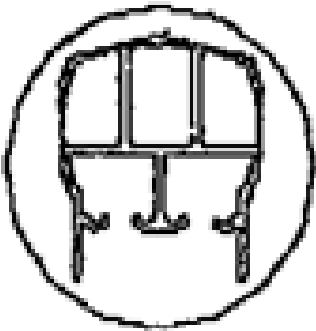
Item	Parts	Qty
1	Bottom Track	
2	Bottom Track clips	
3	Wall Frame	2
4	Screws (M4 X 30)	6
5	Wall Plugs	12
6	Top Track Caps	2
7	Door Panel	2
8	Handles	2
9	Wheels	4
10	Top Track	1
11	Frame Clips	6

1. Frame Assembly

- Place the wall frame (3) on the wall in the shower opening. Use a level to ensure that the frame is straight.
- Drill three holes into each wall, where the screws will go.
- With a drop of silicone, place wall plugs (5) into each hole.
- Place the bottom track (1) into the bottom of the wall frame (3)
- Secure wall frame (3) into bottom track clips (2) and lock into place using self-tapping screws.
- Click upper track (10) into wall frame (3)



2. Door installation



- Attach the wheels (9) to the top of the glass doors (7).
- Install handles (8) to door panels (7) ensuring to use the washers as to not damage the glass.
- Install the wheels (9) on to top track (10) from side. Make sure that each panel has its own track (see image). Use a wrench to adjust wheels (9) until both doors slide smoothly.
- Cap the top track (10) with track caps (6)

3. Calking

- Run a bead of clear silicone along the outer edges of the shower where in meets the wall and the floor.
- Let dry for 24 hours.

